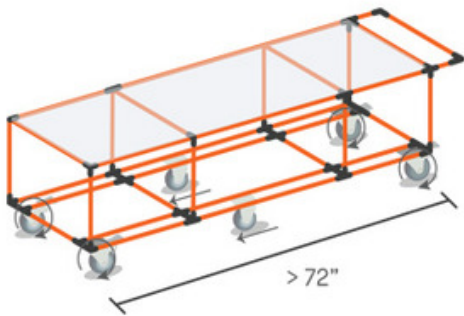


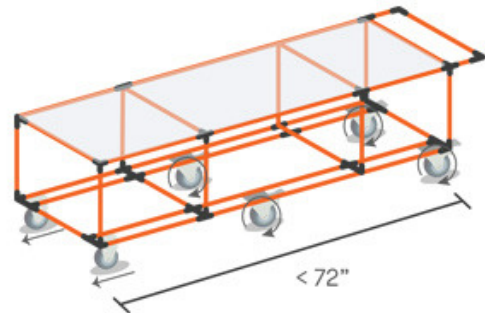
# CART DIMENSION: CASTERS POSITION

For a fully efficient cart, swivel and fix casters position is very important.



## CART LONGER THAN 72"

Swivel casters are at both ends of the cart and the fixed casters are at the center.



## CART SHORTER THAN 72"

The two rows of swivel casters are on the middle and at the end of the cart (with the handle). The fixed ones are at the opposite end.

---

**VISIT [FLEXPIPEINC.COM](https://flexpipeinc.com)**  
**FOR MORE ASSEMBLY TIPS AND CREATIVES PICTURES!**